

# MOSCA®

EXCELLENCE IN STRAPPING SOLUTIONS

## EVOLUTION

The cost-efficient strapping solution



**SONIXs TRI-6 BASE**  
Fully Automatic Inline Strapping Machine

# SoniXs TRI-6 BASE

## STANDARD FEATURES

- Strapping applied in transport direction without bundle turning
- Ultrasonic sealing system with electronic self-calibration
- Can be integrated into most production lines
- High-end Standard 6 TRI sealing unit
- Easy accessibility and tool-free disassembly of strap way components
- Easy operation over digital display in the control panel
- Potential-free contacts to up-stream and down-stream systems
- Open design without protective coverings - CE marking inclusive conformity declaration
- Extremely low energy consumption
- Cost-efficient, pneumatical hold-down device

## OPTION

- Automatic adjustment of the strap tension by package height detection

## TECHNICAL DATA

### PERFORMANCE:

Up to 30 packages per minute (500 x 500 mm, passage 400 mm)

### STRAPS:

Standard machine grade 5 or 9 mm wide PP straps

### STRAP COIL DISPENSER:

Core diameter: 200 mm

Core width: 190 mm

### ELECTRICITY:

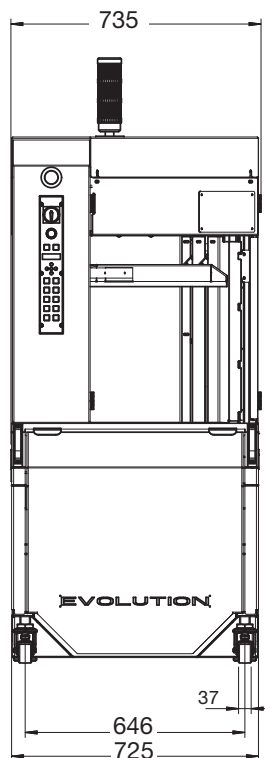
Network data: 100-240 V, 50/60 Hz, 1 PH\*

Power consumption: 0.30 kW

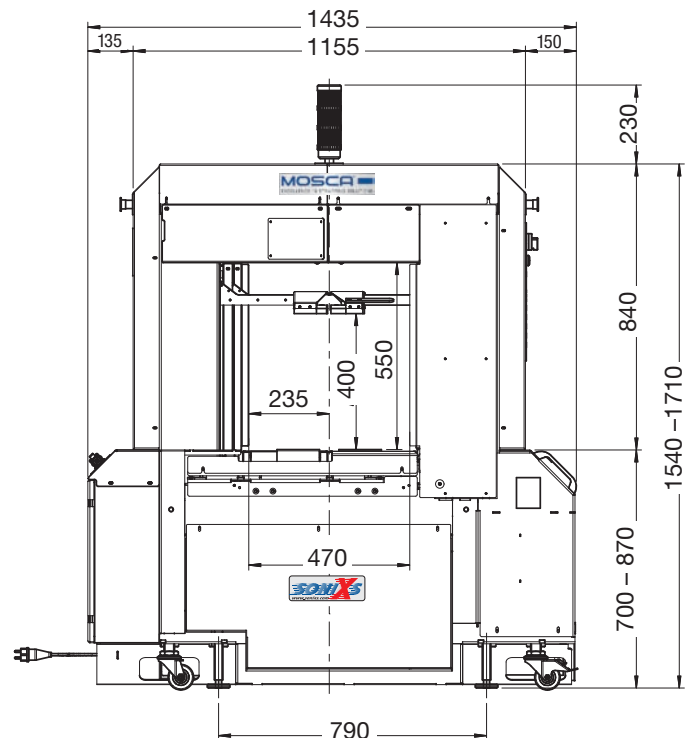
### WEIGHT:

420 kg (500 x 500 mm, incl. hold-down device)

\* Country-specific adaption possible



Layout SoniXs TRI-6 BASE/  
500 mm x 500 mm



03 / 14 Subject to Alterations



**MOSCA**<sup>®</sup>  
EXCELLENCE IN STRAPPING SOLUTIONS

### MOSCA GMBH

Gerd-Mosca-Straße 1  
D-69429 Waldbrunn/Germany  
Tel.: +49 6274/932-0  
Fax: +49 6274/932-400 118  
Tel. Tech. Service: +49 6274 / 932-146  
E-Mail: info@mosca.com  
Internet: www.mosca.com

The models of SoniXs TRI-6 Base are adjustable to one strap width of all quality PP straps of 5 or 9 mm. Obtainable directly from Mosca, produced in one of Europe's most modern manufacturing plants. Combinable with maintenance contracts by Mosca – a one-stop solution.

