

MOSCA®

EXCELLENCE IN STRAPPING SOLUTIONS

Also available with
SONIX sealing



Picture with
options

KZS-111 / KCS-111

Automatic Pallet Strapping Press

KZS-111 / KCS-111

MACHINE DESCRIPTION

KZS-111 BASIC MODEL

- Top-mounted sealing head
- 1 KSR-sealing head and 1 vertical arch
- Moveable sealing head
- PLC control
- Operation via touch panel
- Moveable strap lance for strapping palletised goods
- Change-over switch from PET to PP strap on the touch panel
- Min. conveying height 500 mm
- Can be integrated into most production lines
- Up-stream and down-stream die-back systems
- Structural coating RAL 5010, gentian blue
- Centring device with integrated roller conveyor, laterally moveable
- Straight roller conveyor (turntable) for direct connection to up-stream and down-stream conveying technology (min. splitting 65 mm). Thus pallets with small feet or cross-running pallets can be processed.
- After turning the pallet a strapping in any position is possible.
- Frame width 1600 mm to 2000 mm; 200 mm steps

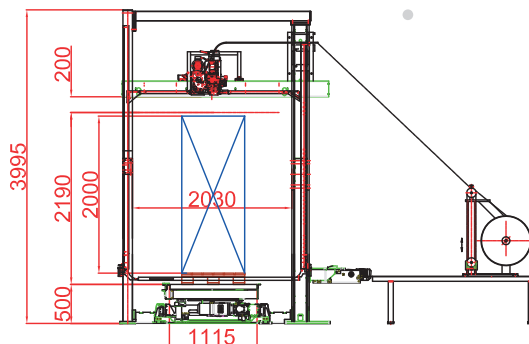
KCS-111 VERSION

Like basic model KZS-111, however

- Frame width 1800 to 2800 mm; 200 mm steps
- Min. conveying height 600 mm
- Pressure 3 tons

OPTIONS

- Floating head
- Contact gib
- Flap opener with package height scanning
- Automatic edge protection
- Special colour according to RAL-scale
- Traffic light warning system including low strap indication
- **SDHX** ultrasonic sealing system (PET strap 9.5 and 12 mm)



TECHNICAL DATA

CAPACITY:

30 Pallets / h
4-fold vertically strapped, depending on size

ELECTRICAL POWER:

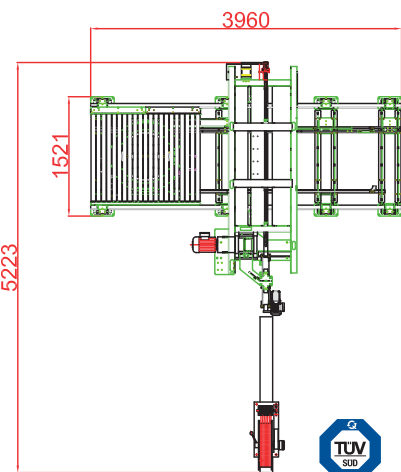
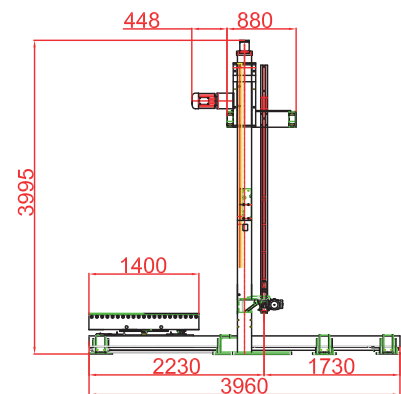
Operating Voltage: 400 V, 50 Hz, 3 PH/N/PE
Control Voltage: 24 V DC
Total Connection: 5.5 kW

STRAPPING:

Strap Types: Standard machine grade PP strap 12.0 x 0.8 mm and standard machine grade PET strap 9.5 to 16 mm
Strap Tension: 2500 N
Strap Feed: 4.5 m/s

SEALING HEAD:

MOSCA-friction-weld sealing head



MOSCA[®]
EXCELLENCE IN STRAPPING SOLUTIONS

MOSCA GMBH

Gerd-Mosca-Straße 1
D-69429 Waldbrunn/Germany
Tel.: +49 6274/932-0
Fax: +49 6274/932-400 118
Tel. Tech. Service: +49 6274 / 932-146
E-Mail: info@mosca.com
Internet: www.mosca.com

03 / 14 Subject to Alterations

The models of KZS-111 / KCS-111 are adjustable to one strap width of quality PP or PET straps. Obtainable directly from Mosca, produced in one of Europe's most modern manufacturing plants. Combinable with maintenance contracts by Mosca – a one-stop solution.

